



GLCA01A4J



Actual product appearance may vary.

Global Limit Switches Series GLS: Side Rotary With Rod - Adjustable, 1NC 1NO SPDT Snap Action, 0.5 in - 14NPT conduit

Features

- Designed to IEC standard for world-wide applications
- UL, CSA, and CE
- International conduit sizes
- Direct PLC interface compatible (two circuit)
- Modular construction reduces maintenance parts costs
- Designed for ease of installation
- Variety of basic switch versions
- Wide choice of actuators

Potential Applications

- Machine tools: metal fabrication equipment, presses, transfer lines and special machinery
- Material handling equipment: conveyors, elevators, cranes, and hoists
- Packaging machinery and process equipment
- Textile machinery
- Construction machinery and equipment, vehicles and lift trucks

Description

The GLS series limit switches are specifically designed for world-wide applications and are supported by Honeywell global resources for sale and after sale service.

Product Specifications	
Availability	Global
Operating Force (O.F.)	0,120 N m [1.10 in lb]
Pretravel (P.T.)	26°
Overtravel (O.T.)	49°
Differential Travel (D.T.)	11.5°
Product Type	EN50041/47 Global Limit Switch
Actuator	Side Rotary
Lever Style	Rod - Adjustable
Circuitry	1NC 1NO SPDT Snap Action
Ampere Rating	10 A (Thermal)
Supply Voltage	300 Vac and 250 Vdc max.

Housing Material	Zinc Die-Cast
Termination Type	0.5 in - 14NPT conduit
Housing Type	EN 50047
Series Name	GLS MIN-DIN
Shock	50 g per IEC 68-2-27c (w/o Actuator)
Vibration	10 g per IEC 68-2-6 (w/o Actuator)
Sealing	NEMA 1, 4, 12, 13 IP66
Approvals	UL, CSA, CE
CSA File #	LR94369-3
UL File #	E37138 & E157416
Mechanical Life	10 million
Operating Temperature Range	-40 °C to 85 °C [-40 °F to 185 °F]
Agency Approvals and Standards	IEC 947-5-1, EN60947-5-1, UL508
UNSPSC Code	302119
UNSPSC Commodity	302119 Switches and controls and relays
Sealed	Industrial
Operating Position (O.P.)	26°

Honeywell

LIMIT SWITCH

CATALOGUE LISTING

GLS

CHART NO.

MTG-GL-194

MTG-GL-194

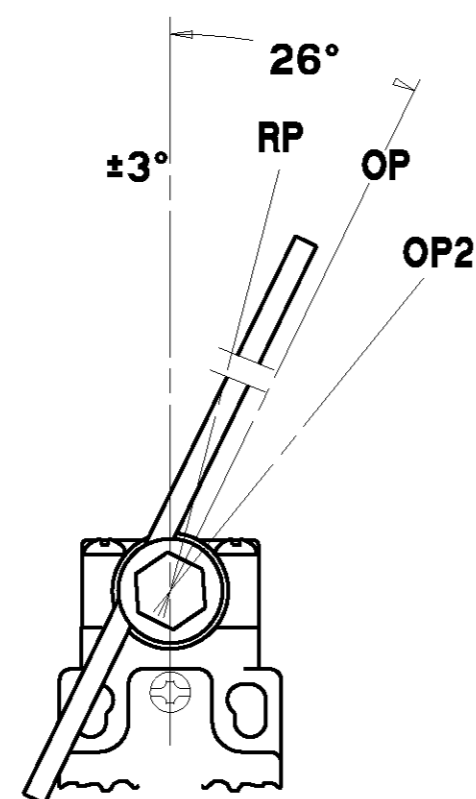
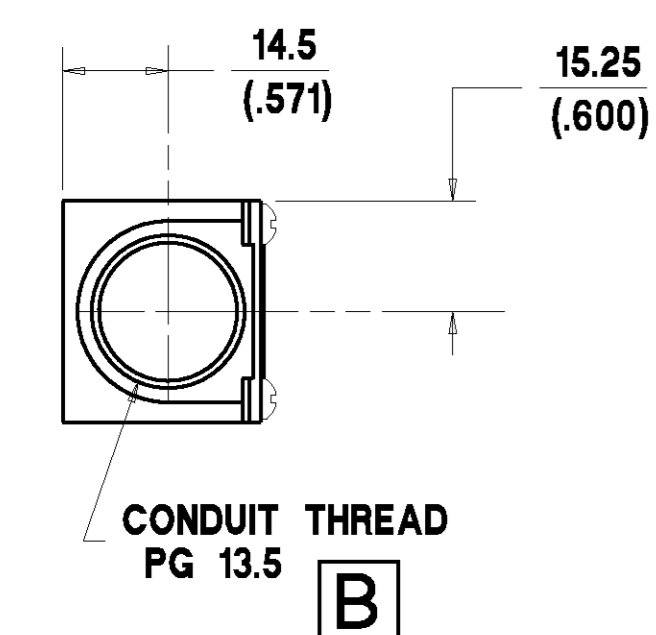
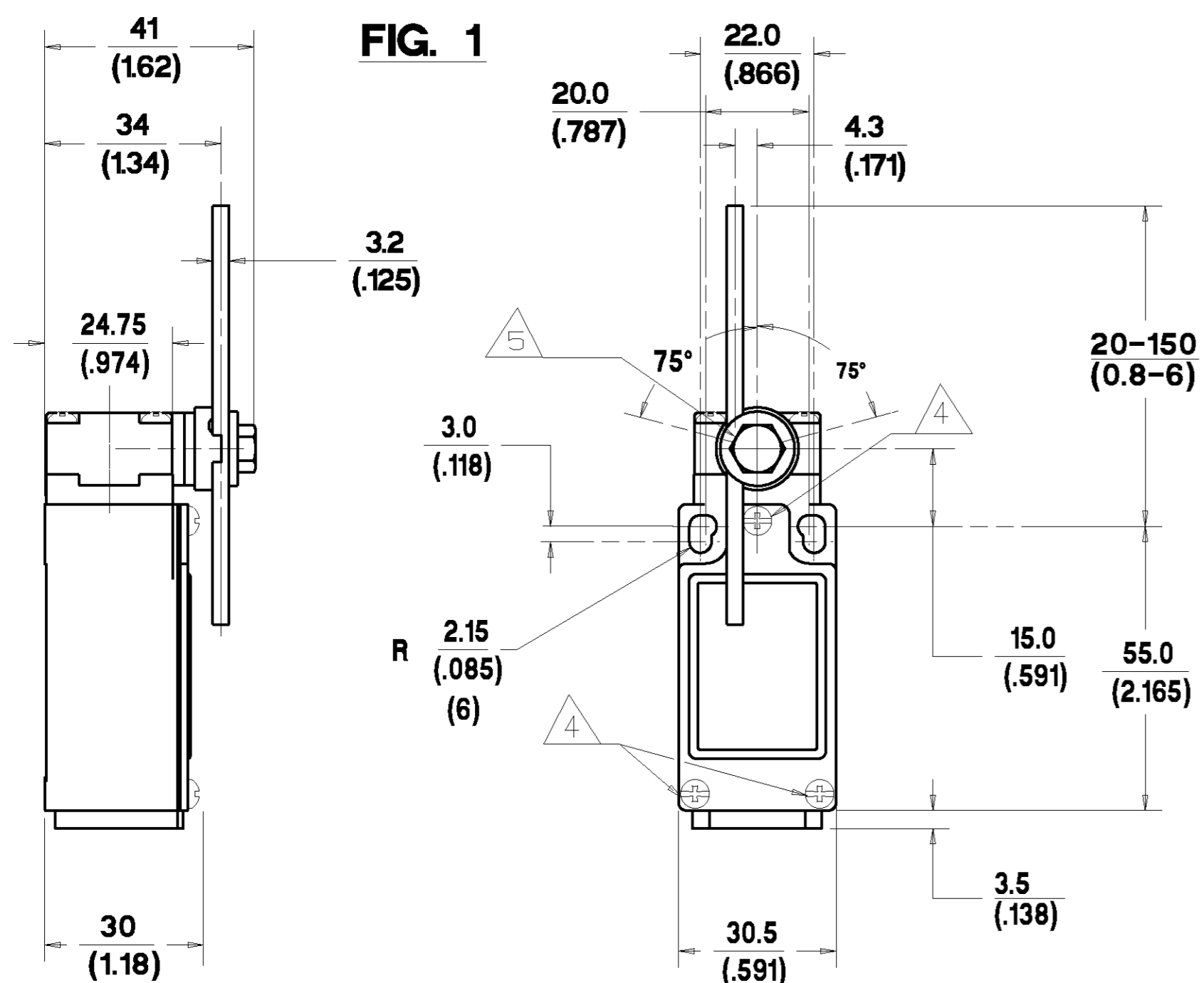
DRAWING NUMBER

ISSUE

REVISIONS

2	9/96
AD18-275	
3	12/96
AD18-293	
4	7/97
CO-000083	
5	8/97
CO-000106	
6	CO/395
1 WEIR 6/98	

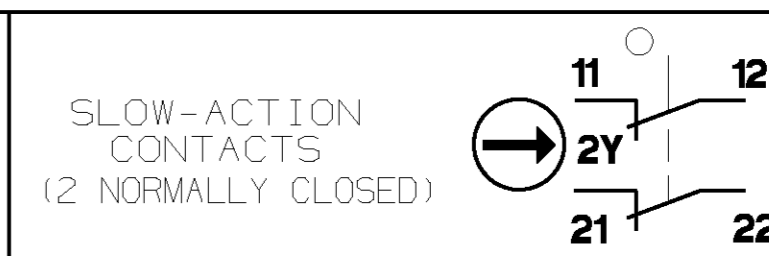
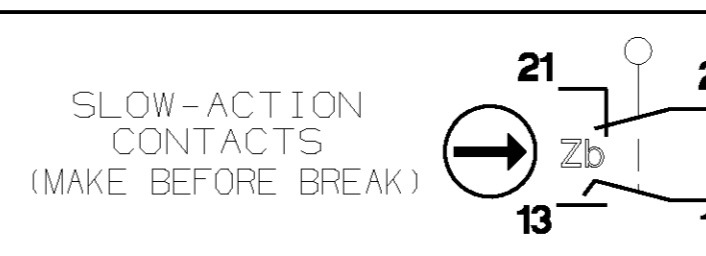
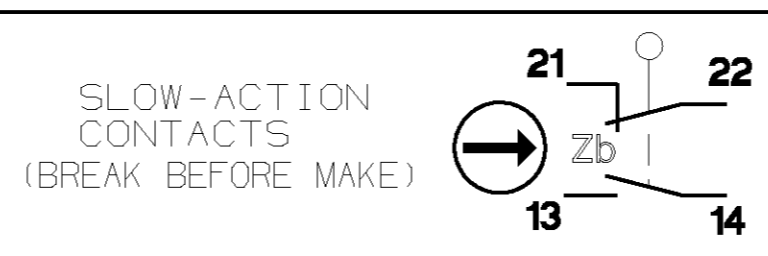
REPLACES
AO18-185
RELEASE NUMBER



NOTES:-

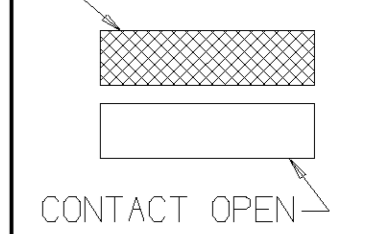
- ZINC DIECAST BODY AND HEAD WITH STEEL COVER. BODY AND COVER FINISHED IN MICRO SWITCH BLUE EPOXY PAINT. HEAD FINISHED IN BLACK EPOXY PAINT.
 - MINIMUM OPERATING VELOCITY (V_{min}) = 0.26 rad/s
MAXIMUM OPERATING VELOCITY (V_{max}) = 25 rad/s
MAXIMUM OPERATING FREQUENCY (F_{max}) = 250 OPS/MIN
 - FREE POSITION (FP), OPERATING POINT (OP), OVERTRAVEL (OT) AND PRETRAVEL (PT) ALL TO EN50047.
- ⚠️ MAXIMUM TIGHTENING TORQUE FOR FIXING SCREW = 0.5Nm (4.4in.LB)
⚠️ MAXIMUM TIGHTENING TORQUE FOR FIXING SCREW = 0.8Nm (7in.LB)

NO CHANGES CAN BE MADE TO THIS DRAWING WITHOUT JOINT NEWHOUSE/FREEPORT APPROVAL

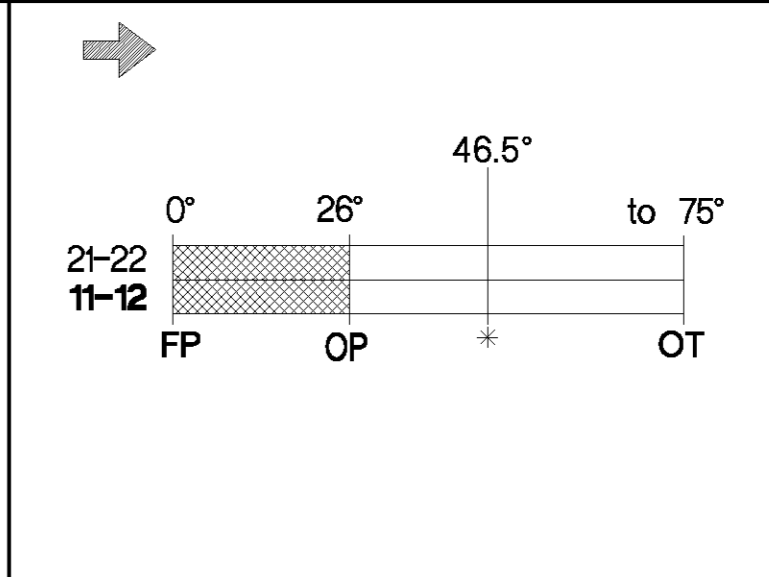
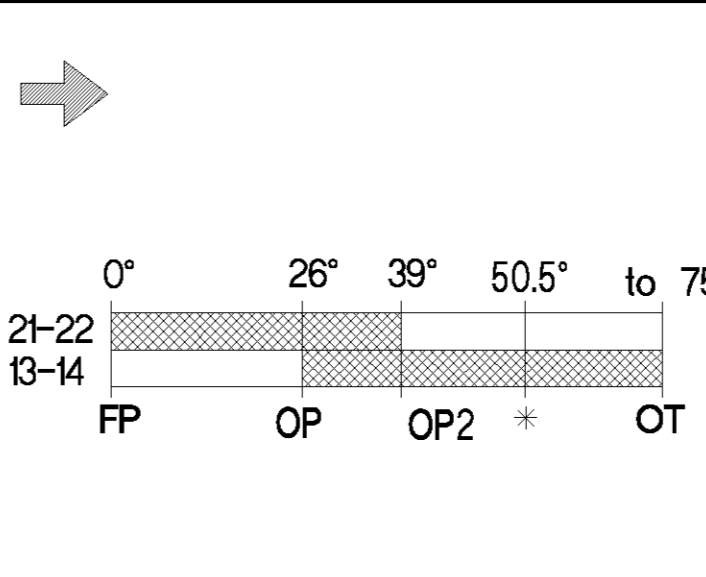
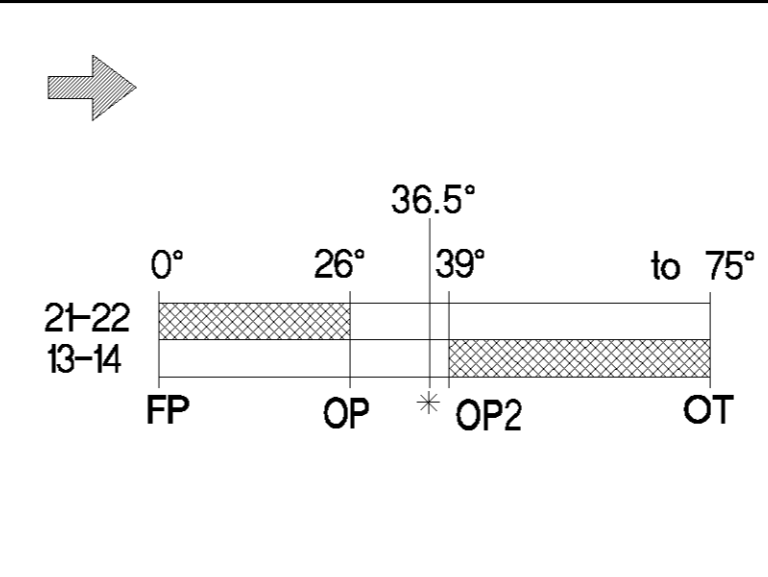
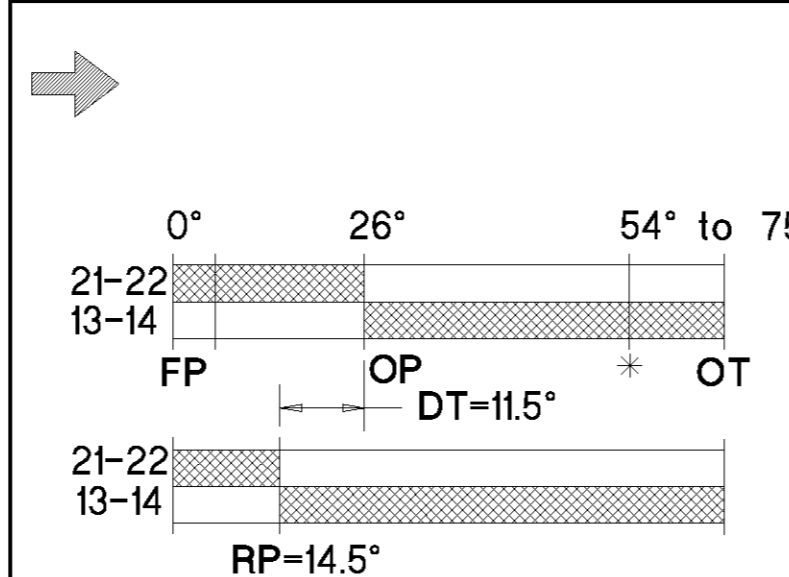


CONTACT BLOCK DIAGRAM TERMINAL DESIGNATION TO EN 50013

NOMINAL TRAVELS AND RELATED TERMINALS



* POSITIVE OPENING TO IEC 947-5-1-3



120 (1.1)
140 (1.3)

110 (1.0)
160 (1.5)

110 (1.0)
170 (1.6)

110 (1.0)
150 (1.4)

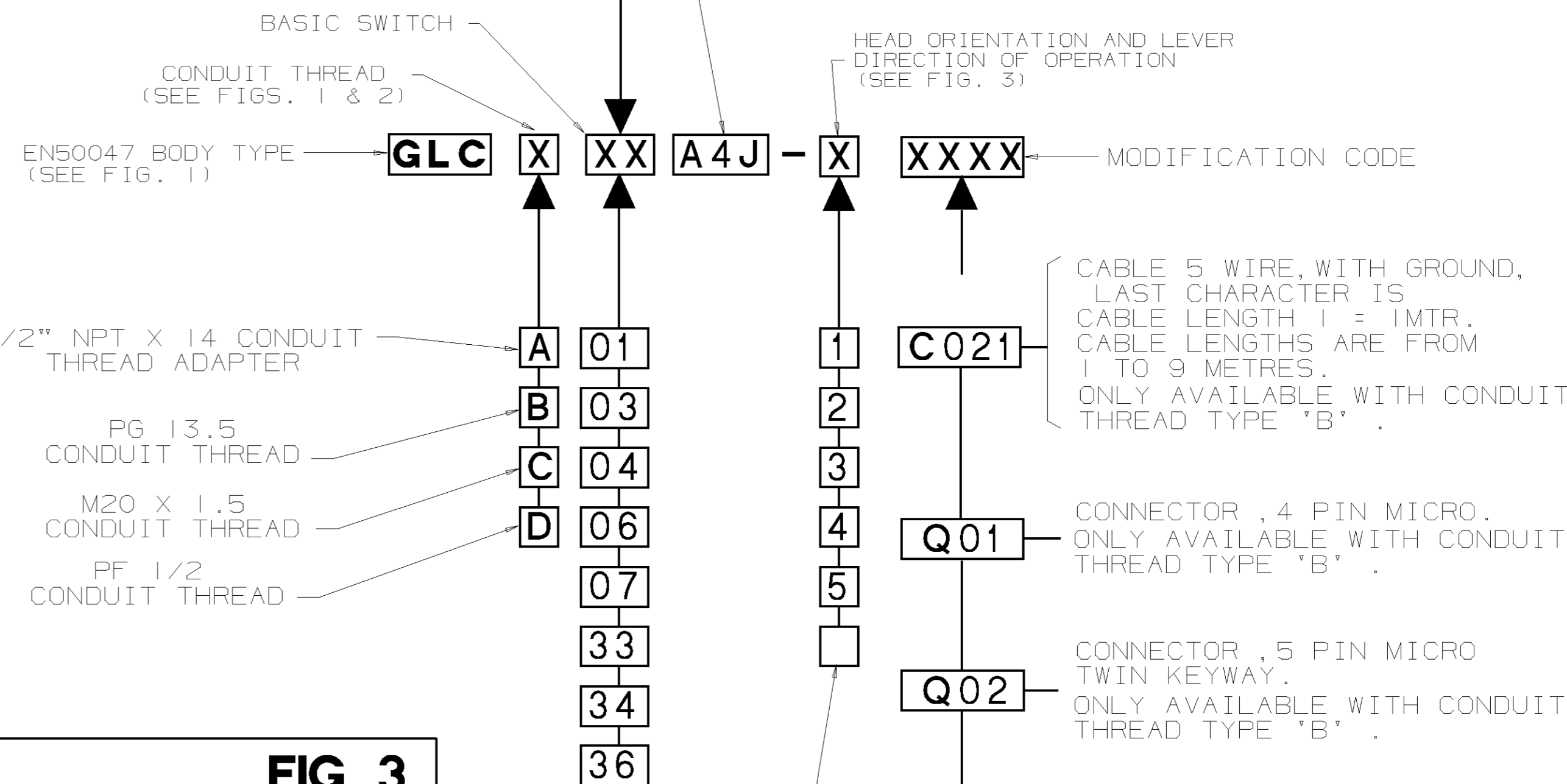
NORMAL OPERATING TORQUE MAX Nmm (in.lbs)
MAXIMUM DISCONNECT TORQUE Nmm (in.lbs)

01 OR 07

03 OR 33

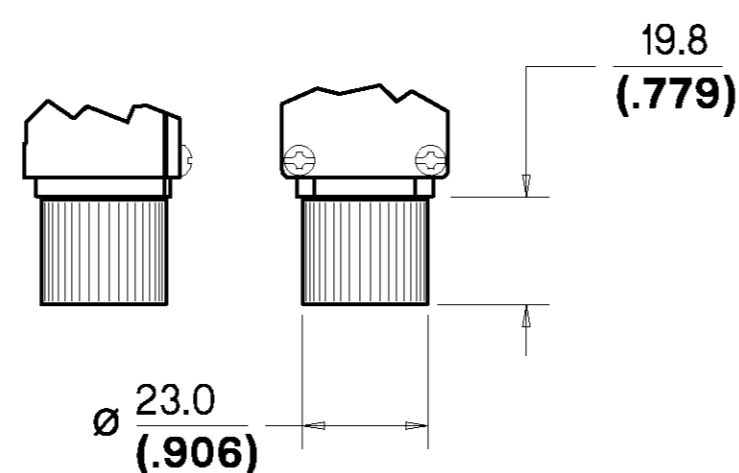
04 OR 34

06 OR 36



NOTE:- ANY STANDARD LISTING WITH SUFFIX 'RS' OR 'FE' IS PERMITTED.

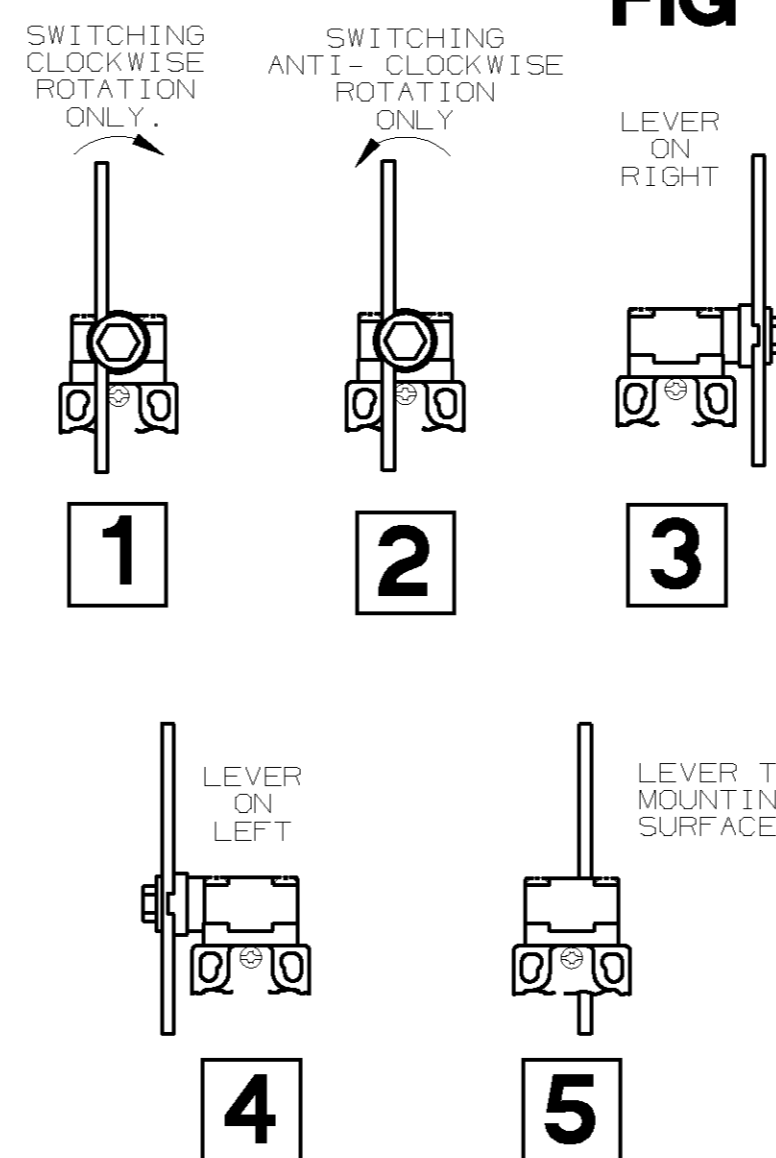
FIG. 2



1/2" NPT X 14 CONDUIT THREAD ADAPTER

A

FIG. 3



BLANK = LEVER TO FRONT, SWITCHING IN BOTH DIRECTIONS.

NOTE: FOR CONNECTION DIAGRAMS AND ADDITIONAL ELECTRICAL, ENVIRONMENTAL & DIMENSIONAL INFORMATION SEE DRAWING GL-49212.

4/94	STANDARD SILVER CONTACTS	GOLD PLATED CONTACTS		
4/94	ELECTRICAL RATING	ELECTRICAL RATING	ENVIRONMENTAL	APPROVALS
4/94	AC A300 AC15 Ue 1e	DC O300 DC13 Ue 1e	IP66 NEMA 1, 4, 12, 13 TEMP RANGE: -25°C TO 85°C -13°F TO 185°F STORAGE: -40°C TO 85°C -40°F TO 185°F	UL IEC 947-5-1 EN50047
	VOLTS AMPS 120 6 240 3	VOLTS AMPS 125 0.55 250 0.27	I _{th} = 10A 1V 10μA MIN. 50V 100mA MAX.	
	SHOCK: 50G PER IEC 68-2-27		VIBRATION: 10G PER IEC 68-2-6	
4/94	THE COPYRIGHT OF THIS DRAWING IS THE PROPERTY OF HONEYWELL LTD. THE DRAWING IS SUPPLIED IN CONFIDENCE AND MUST NOT BE USED FOR ANY PURPOSE OTHER THAN THAT FOR WHICH IT IS SUPPLIED.		THIRD ANGLE PROJECTION	SCALE: 1:1 DIMENSIONS ARE IN MM/INCHES. MODIFY ON CAD SYSTEM ONLY